

# CULVERTS.

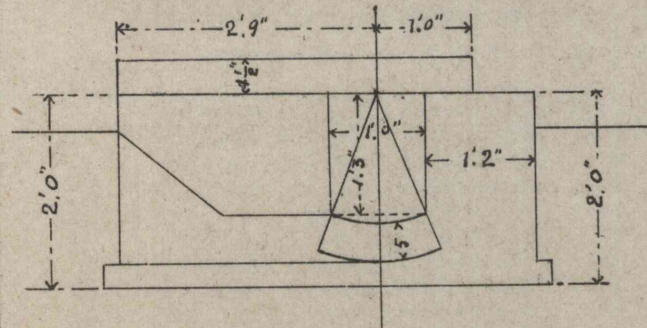
第十圖

第十圖

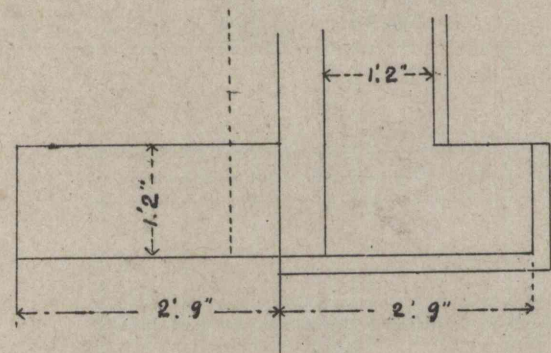
1 FOOT.

SCALE 1/2" = 1 FT.

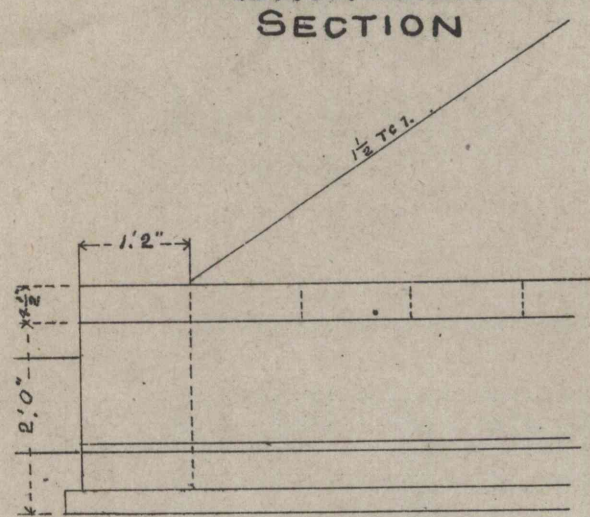
ELEVATION SECTION



PLAN

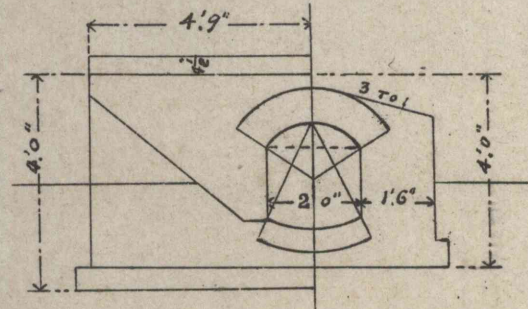


LONGITUDINAL SECTION

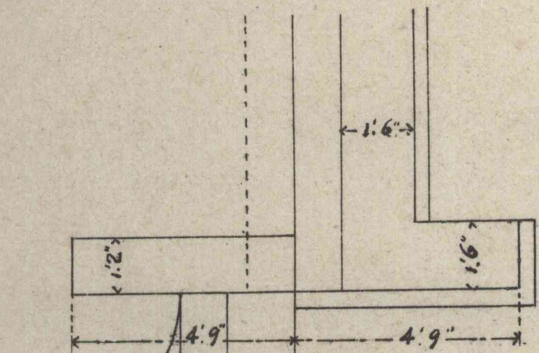


2 FEET.

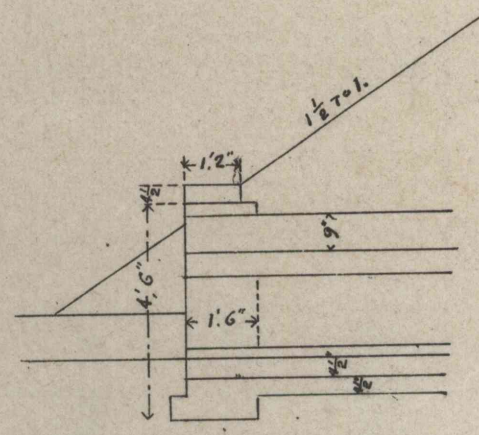
ELEVATION SECTION



PLAN

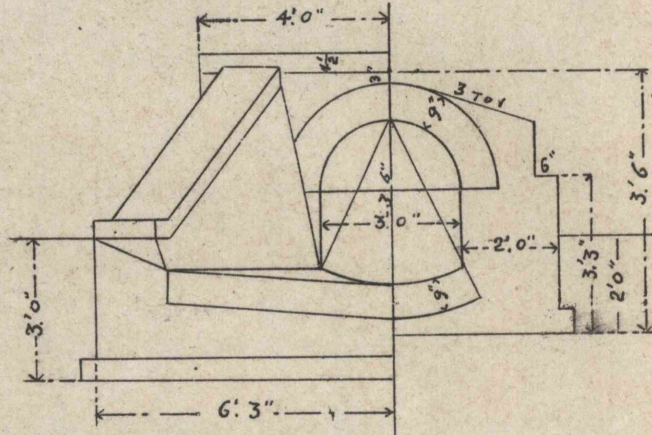


LONGITUDINAL SECTION

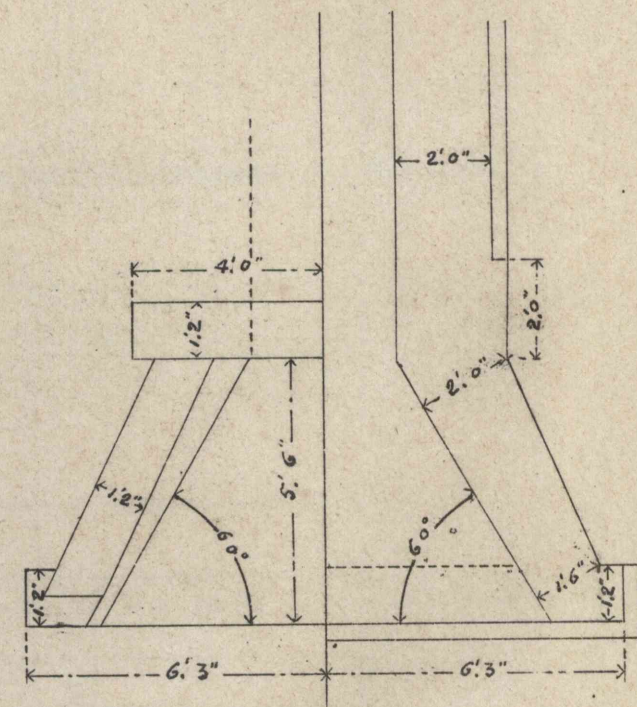


3 FEET.

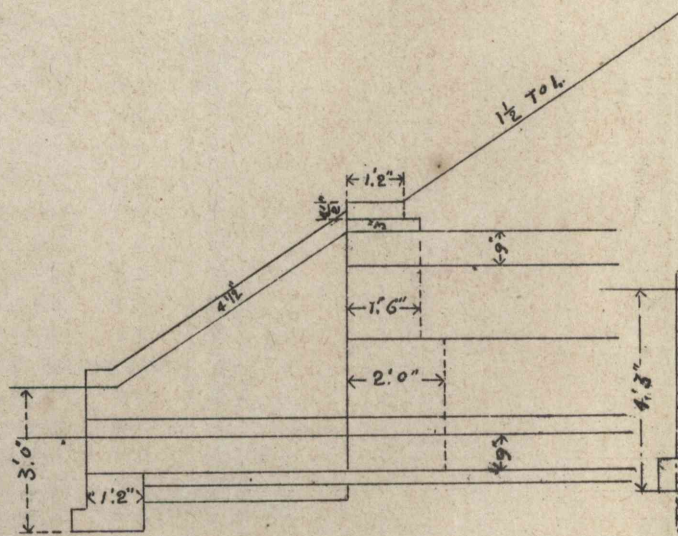
ELEVATION SECTION



PLAN

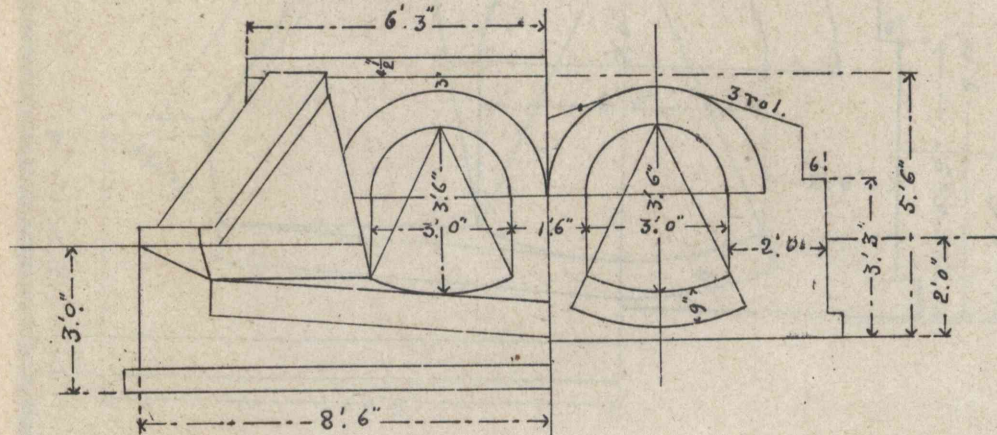


LONGITUDINAL SECTION

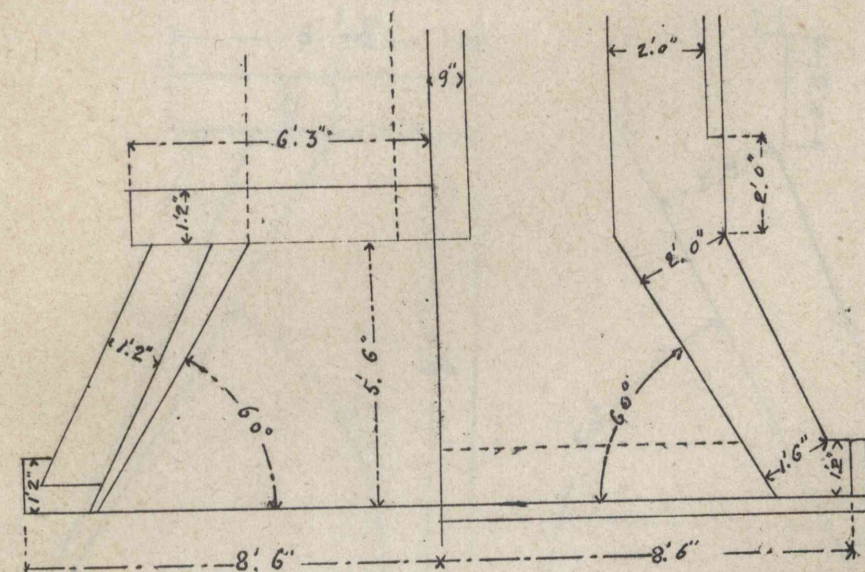


DOUBLE 3 FEET.

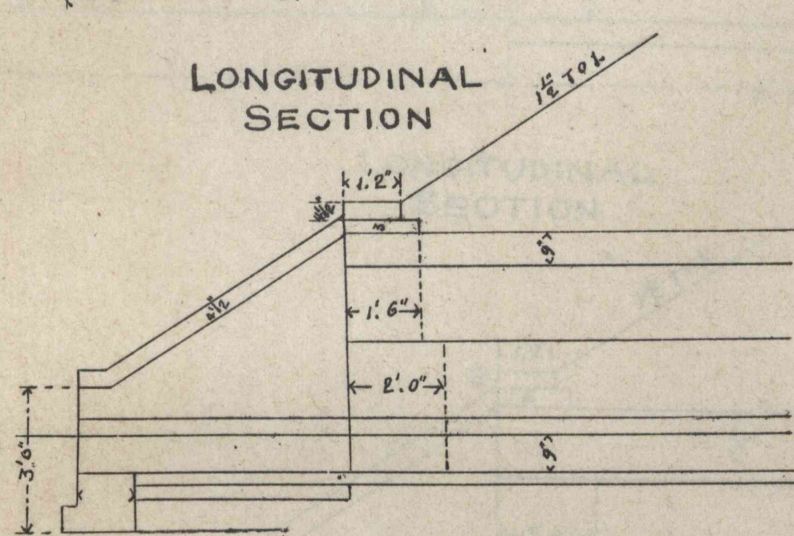
ELEVATION SECTION



PLAN

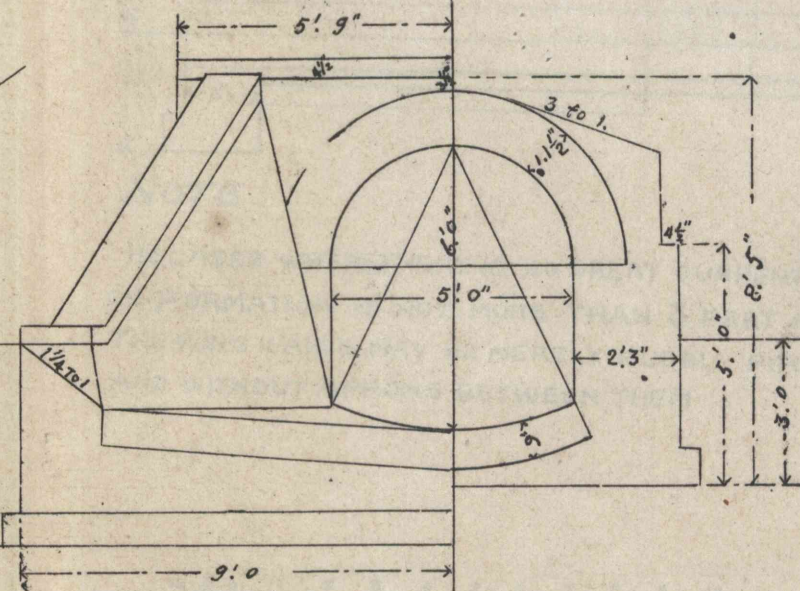


LONGITUDINAL SECTION

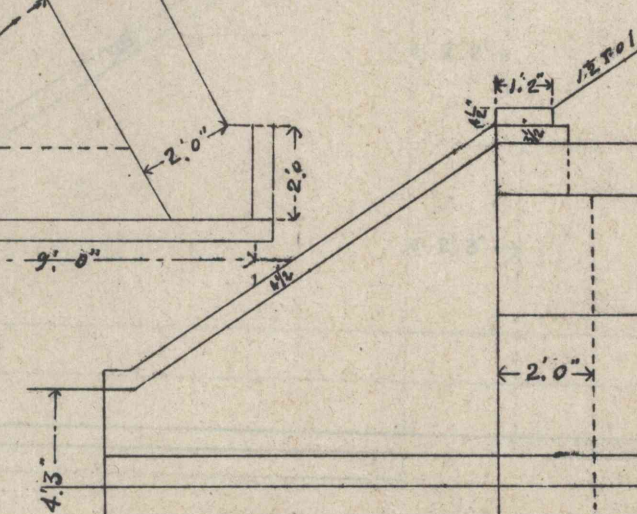


5 FEET

ELEVATION SECTION

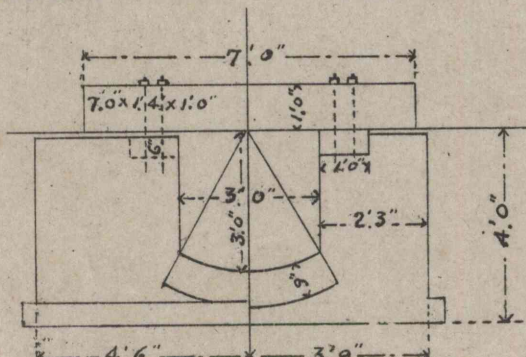


LONGITUDINAL SECTION

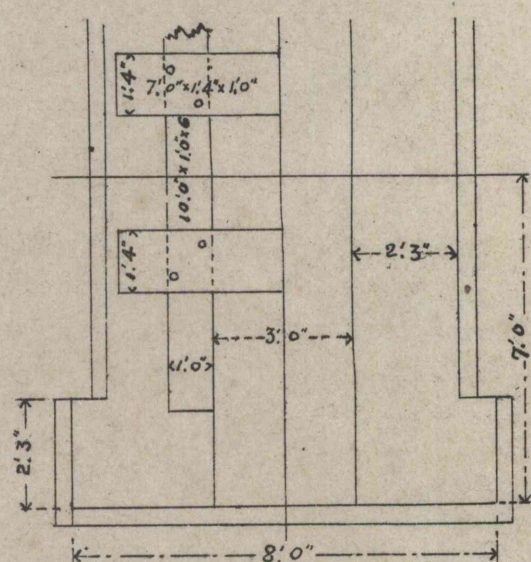


OPEN 3 FEET.

ELEVATION SECTION



PLAN



B. Uchida